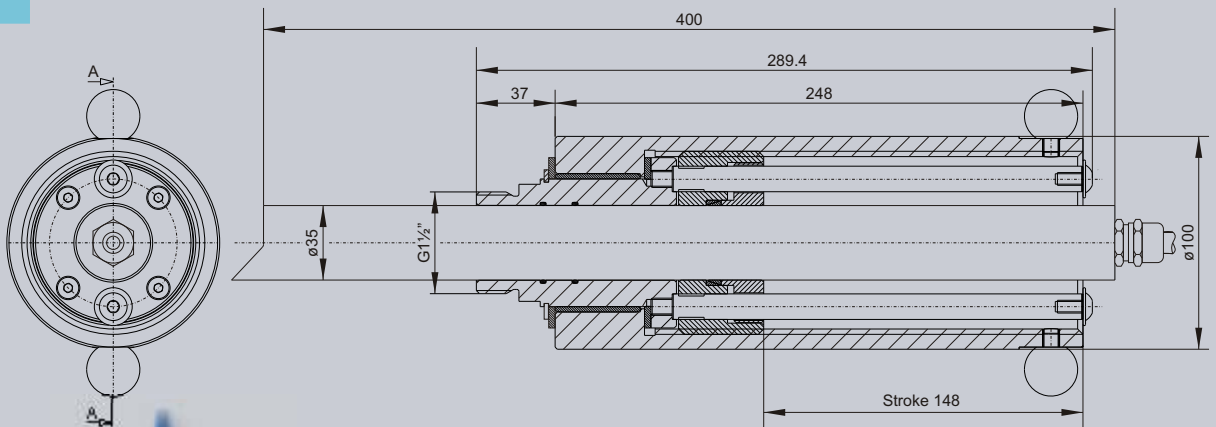




- Easy sensor installation and removal under process conditions
- Suitable for pressure pipes
- For pipe sensors with 35 mm outside diameter



Retractable Fitting

Dimensions in mm



Retractable Fitting for Pipe Sensors

Manually retractable Fitting for Pipe Sensors with 35 mm outside diameter.

This easy-to-operate fitting enables to extend and to retract 1½" flow velocity sensors into/from process pipelines under operational conditions without the use of tools.

The extended sensor allows to clean process pipe-lines.



Specifications	
Overall length	290 mm
Outside diameter	100 mm
Retractable length	sensor / stroke: approx. 150 mm
Weight	approx. 5.5 kg
Material	AlMg-alloy, brass
Connections	R 1½" outside screw thread
Max. Pressure	4 bar

You can find more information in the instruction manual or on www.nivus.com