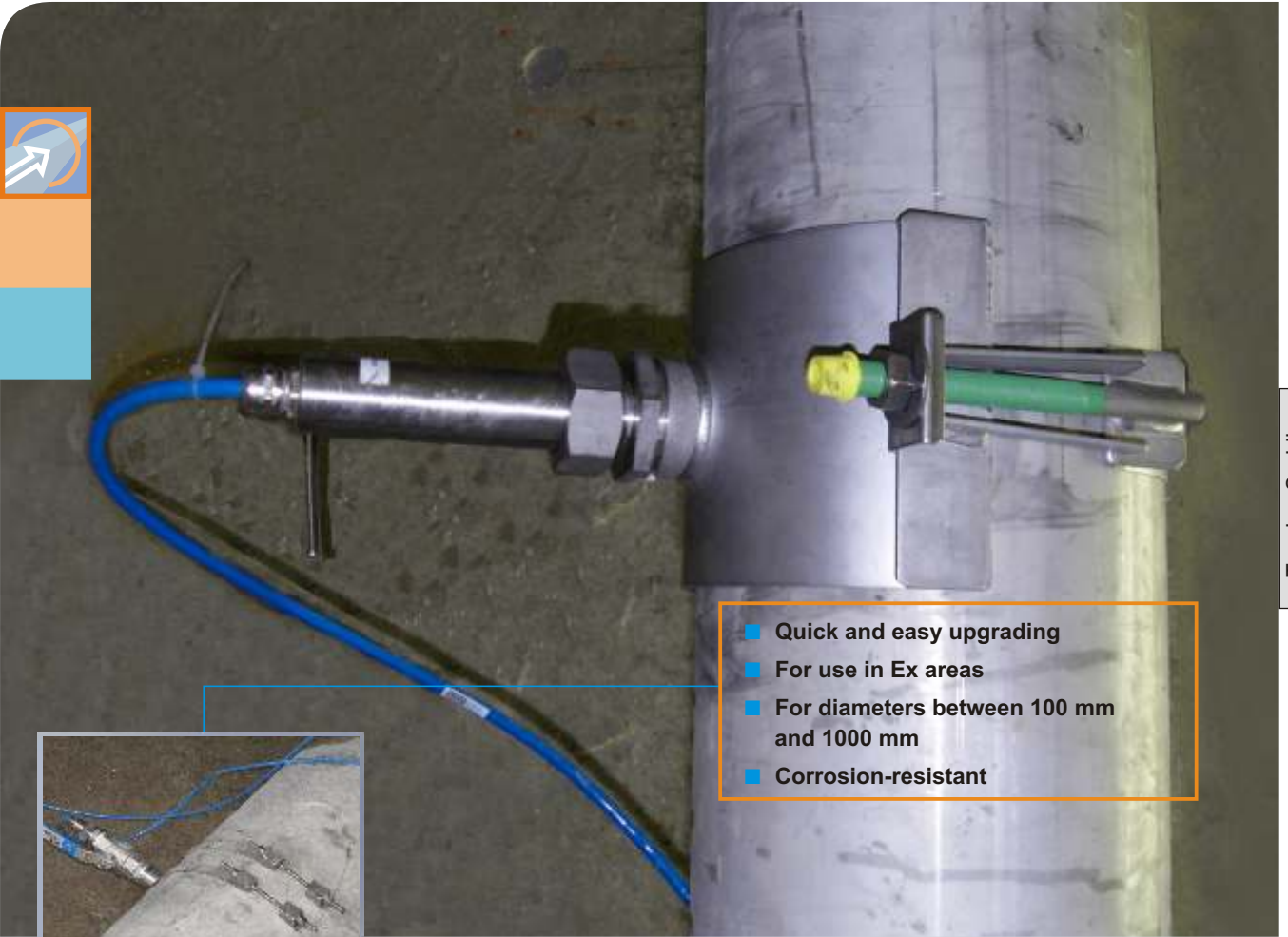
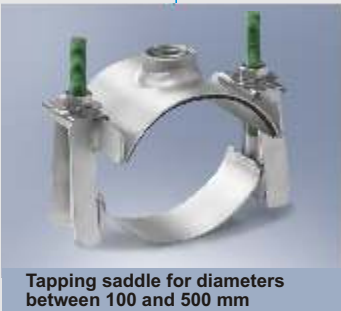




Tapping Saddle



- Quick and easy upgrading
- For use in Ex areas
- For diameters between 100 mm and 1000 mm
- Corrosion-resistant



Tapping saddle for diameters between 100 and 500 mm



Tapping saddle for diameters between 500 and 1000 mm

Tapping saddle for pipe sensors

Tapping saddle for reliable installation of $\varnothing 35$ mm pipe sensors in pipe lines.

Specifications

Tapping saddle for inside diameters from 100 mm to 1000 mm

Material	stainless steel 1.4301 (V2A), sealing NBR
Connections	with nozzle (inner thread 1 1/2" according to DIN 2999)
Pressure	max. 4 bar

You can find more information in the instruction manual or on www.nivus.com